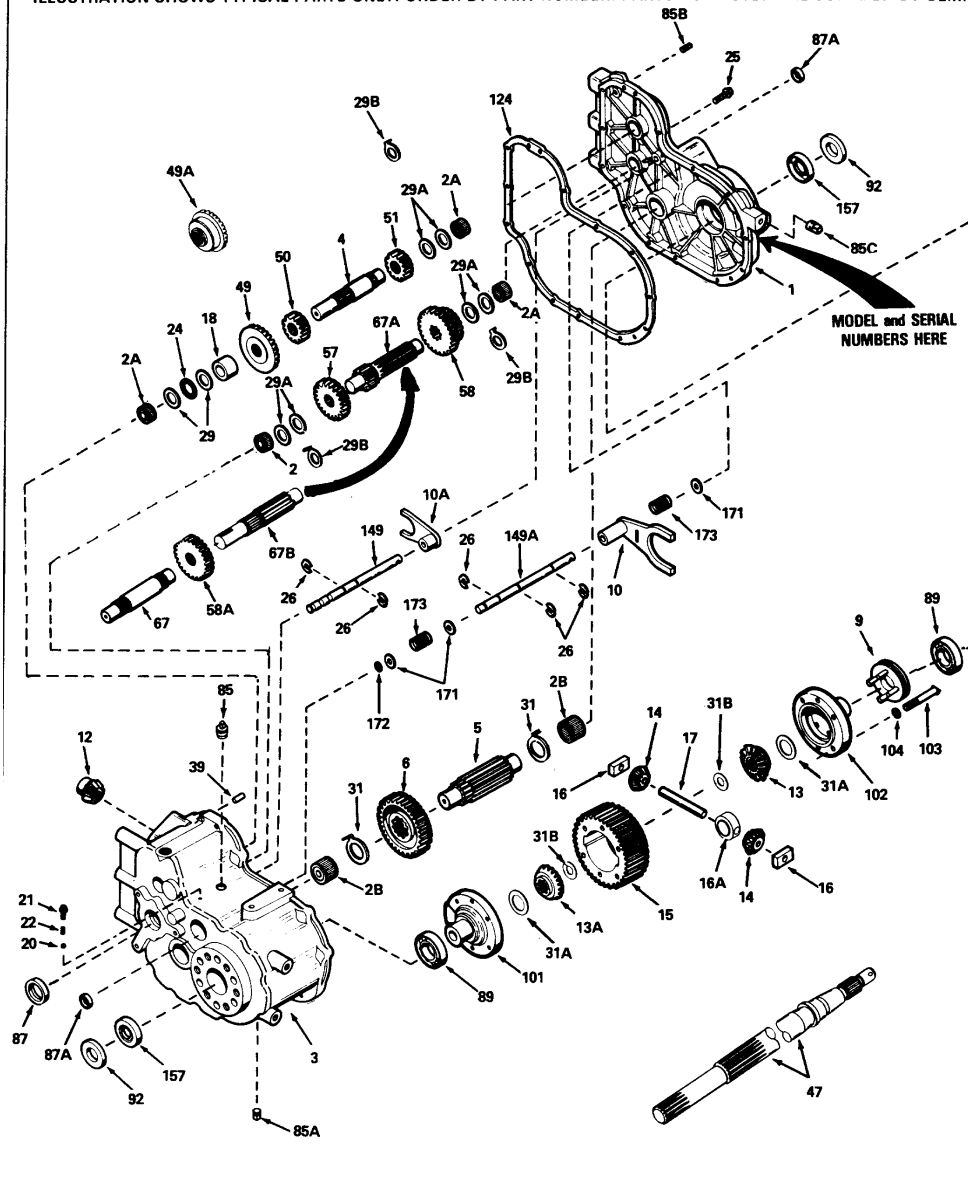


p2600.2 2600-2600-014 / Drive & Differential

ILLUSTRATION SHOWS TYPICAL PARTS ONLY. ORDER BY PART NUMBER. PARTS NOT LISTED ARE SUPPLIED BY OEM.



Part List

p2600.2 2600-2600-014 / Drive & Differential

REF #	ITEM #	DESCRIPTION	QTY	REMARK
1	772086	Transaxle Cover (Incl. 2A & 2B)		
2	780097	Needle Bearing		
2A	780100	Needle Bearing		
2B	780099	Needle Bearing		
3	770086A	Transaxle Case (Incl. 2, 2A & 2B)		
4	776209	Countershaft		
5	776120A	Output Pinion (13 teeth)		
6	778103	Output Gear (33 teeth)		
9	784325A	Shift Collar		
10	784328	Shift Fork		
10A	784195	Shift Fork		
12	778155	Bevel Pinion		
13	778159	Bevel Gear		
13A	778158	Bevel Gear		
14	778157	Bevel Pinion		
15	778156	Ring Gear		
16	786098	Drive Block		
17	786096	Drive Pin		
18	786094	Spacer		
20	792004	Steel Ball, 3/16" dia.		
21	792100	Screw, 1/4-20 x 5/8"		
22	792003	Shift Fork Spring		
24	780012	Thrust Bearing		
26	792064	Retaining Ring		
29	780045	Thrust Washer (2 required)		
29B	780157	Thrust Washer (3 required)		
31	780156	Thrust Washer (2 required)		
31A	780130	Thrust Washer		
39	786026	Dowel Pin		
49	778087	Bevel Gear (30 teeth)		
50	778088	Spur Gear (16 teeth)		
51	778099	Spur Gear (20 teeth)		
57	778102	Spur Gear (17 teeth)		
58	778100	Cluster Gear (23 & 27 teeth)		
67B	776119	Brake Shaft (splined)		
85A	792019	Magnetic Drain Plug, 3/8-18		
85B	792039	Pipe Plug, 1/8-27		
87A	788034	Oil Seal		
89	780125	Ball Bearing		
92	786097	Spacer		
101	774486A	Differential Carrier (Incl. 31A)		
102	774487	Differential Carrier		
103	792101	Screw, 3/8-16 x 2-3/4"		
104	792011	Lockwasher, 3/8"		
124	788058B	Case-to-Cover Gasket		
149	784326A	Shift Rod (Hi-Low)		
149A	784327A	Shift Rod (Differential Lock)		
157	788049	Oil Seal		
171	780070	Thrust Washer		
172	792099	Retaining Ring		
173	792102	Compression Spring		
204A	792067	Screw, 5/16-18 x 1"		